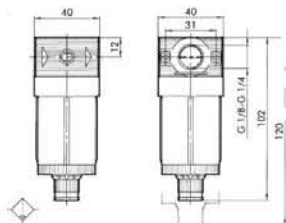


Miniature Filter

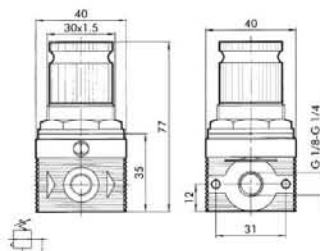


Order Code	Description	€
5101002	20 Micron G1/8	19.59
5101001	5 Micron G1/8	19.59
5201002	20 Micron G1/4	19.59
5201001	5 Micron G1/4	19.59

Technical Data

Threaded Port	1/8 - 1/4
Max. inlet pressure	13 bar
Flow rate at 6 bar ΔP 0.5 bar	860 NI/min
Flow rate at 6 bar ΔP 1 bar	1200 NI/min
Fluid	Compressed Air
Max temperature at 10 bar	50 °C
Weight	40 gr
Wall fixing screws	M 4
Mounting position	Vertical
Condensate drain	Manual/Semi-auto (RMSA)
Bowl capacity	16 cm ³

Miniature Pressure Regulator



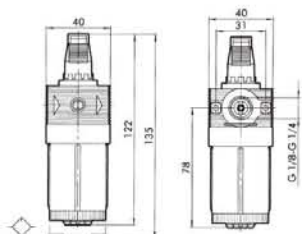
Order Code	Description	€
5107003	0-8bar G1/8	21.92
5107004	0-12bar G1/8	21.92
5207003	0-8bar G1/4	21.92
5207004	0-12bar G1/4	21.92

Technical Data

Threaded Port	1/8 - 1/4
Max. inlet pressure	13 bar
Flow rate at 6 bar ΔP 0.5 bar	340 NI/min
Flow rate at 6 bar ΔP 1 bar	600 NI/min
Fluid	Filtered, lubricated or unlubricated compressed air Lubrication, if used, must be continuous
Max temperature at 10 bar	50 °C
Weight	80 gr
Wall fixing screws	M4
Mounting	In any position
Gauge Port	1/8" G

Notes: The regulator pressure must always be set upwards, for increased sensitivity, use a pressure regulator with a rated pressure as close as possible to the required value.

Miniature Lubricator



Order Code	Description	€
5103001	G1/8 Ports	29.18
5203001	G1/4 Ports	29.18

Technical Data

Threaded Port	1/8 - 1/4
Type of Lubrication	Oil mist
Bowl capacity	26.5cm ³
Lubricator version	Manual filling with the bowl disassembled
Max. inlet pressure	13 bar
Flow rate at 6 bar ΔP 0.5 bar	400 NI/min
Flow rate at 6 bar ΔP 1 bar	710 NI/min
Fluid	Filtered compressed air
Max temperature at 1 MPa; 10 bar; 145 psi	50 °C
Weight	40 gr
Wall fixing screws	M4
Mounting position	Vertical

COUPLINGS

HYDRAULICS

PNEUMATICS

BOSCH
REXROTH
PNEUMATICSAIR
TREATMENTTUBE
FITTINGSHOSETAILS &
ADAPTORSSTAINLESS
STEEL

VALVES

TUBING &
HOSECLIPSHOSE REELS,
PUMPS &
GARAGE
EQUIPMENTAIR, WATER
& PAINT
GUNSVACUUM
EQUIPMENTCOMPRESSED
AIR SYSTEMSMALLEABLE
IRONTOOLS &
MEASURINGAIR TOOLS
COMPRESSORSENGINEERING
MAINTENANCEPARTS
HANDLING
& STORAGEALUMINIUM
PROFILE &
ACCESSORIESSPILL
CONTROL

Miniature Filter Regulator

P11

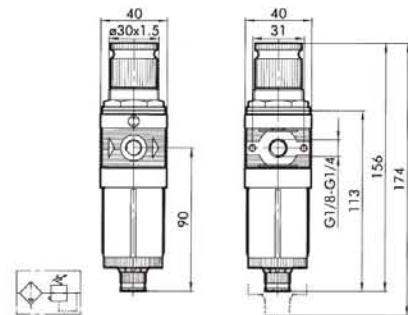
Order Code	Description	€
5105008	20 Micron 0-8bar G1/8	35.34
5105011	20 Micron 0-12bar G1/8	35.34
5205008	20 Micron 0-8bar G1/4	35.34
5205011	20 Micron 0-12bar G1/4	35.34



Technical Data

Threaded Port	1/8 - 1/4
Degree of filtration	5µ 20µm 50µm
Max. inlet pressure	1.3 MPa 13 bar 188 psi
Flow rate at 6 barΔP 0.5 bar	290 NI/min
Flow rate at 6 barΔP 1 bar	600 NI/min
Fluid	Compressed Air
Max temperature at 10 bar	50°C
Weight	110 gr
Wall fixing screws	M4
Mounting position	Vertical
Gauge port	G1/8"
Bowl capacity	16 cm ³
Condensate drain	Manual/Semi-auto Automatic (SAC)

Notes: The regulator pressure must always be set upwards, for increased sensitivity, use a pressure regulator with a rated pressure as close as possible to the required value.



Miniature Oil Removal Filter

P11

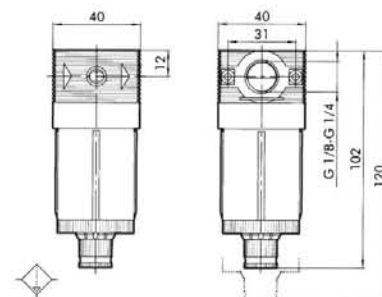
Order Code	Description	€
5212001	G1/4 Ports	74.90



Technical Data

Threaded Port	1/8 - 1/4
Degree of filtration	99.97% 0.01µm
Max. inlet pressure	13 bar
Flow rate at 6 bar ΔP 0.5 bar	700 NI/min
Flow rate at 6 bar ΔP 1 bar	1000 NI/min
Suggested flow at 6 bar	200 NI/min
Fluid	Filtered 5µm compressed air
Max temperature at 10 bar	50°C
Weight	65 gr
Wall fixing screws	M4
Mounting position	Vertical
Condensate drain	Manual/Semi-auto (RMSA)
Bowl capacity	16 cm ³

Notes: It is advisable to mount a 5m filter upstream acting as a rough filter.



COUPLINGS

HYDRAULICS

PNEUMATICS

BOSCH
REXROTH
PNEUMATICS

AIR
TREATMENT

TUBE
FITTINGS

HOSETAILS &
ADAPTORS

STAINLESS
STEEL

VALVES

TUBING &
HOSECLIPS

HOSE REELS,
PUMPS &
GARAGE
EQUIPMENT

AIR, WATER
& PAINT
GUNS

VACUUM
EQUIPMENT

COMPRESSED
AIR SYSTEMS

MALLEABLE
IRON

TOOLS &
MEASURING

AIR TOOLS
COMPRESSORS

ENGINEERING
MAINTENANCE

PARTS
HANDLING
& STORAGE

ALUMINIUM
PROFILE &
ACCESSORIES

SPILL
CONTROL

Miniature Filter + Regulator + Lubricator Set

P11

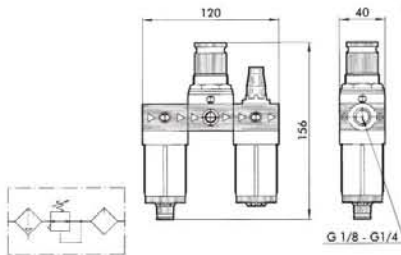


Order Code	Description	€
5104008	20 Micron 0-8bar G1/8	72.20
5104011	20 Micron 0-12bar G1/8	72.20
5204008	20 Micron 0-8bar G1/4	72.20
5204011	20 Micron 0-12bar G1/4	72.20

**Technical Data**

Threaded Port	1/8 - 1/4
Type of lubrication	Oil mist
Max. inlet pressure	13 bar
Flow rate at 6 bar ΔP 0.5 bar	150 NI/min
Flow rate at 6 bar ΔP 1 bar	280 NI/min
Fluid	Compressed air
Max temperature at 1 MPa; 10 bar; 145 psi	50°C
Weight	160 gr
Wall fixing screws	M4
Mounting	in any position
Gauge Port	G1/8"

Notes: See chapters regarding individual elements



Miniature Filter Regulator + Lubricator Set

P11



Order Code	Description	€
5106008	20 Micron 0-8bar G1/8	68.50
5106011	20 Micron 0-12bar G1/8	68.50
5206008	20 Micron 0-8bar G1/4	68.50
5206011	20 Micron 0-12bar G1/4	68.50

**Technical Data**

Threaded Port	1/8 - 1/4
Type of lubrication	Oil mist
Max. inlet pressure	13 bar
Flow rate at 6 bar ΔP 0.5 bar	140 NI/min
Flow rate at 6 bar ΔP 1 bar	260 NI/min
Fluid	Compressed air
Max temperature at 1 MPa; 10 bar; 145 psi	50°C
Weight	170 gr
Wall fixing screws	M4
Mounting position	Vertical
Gauge port	G1/8"

